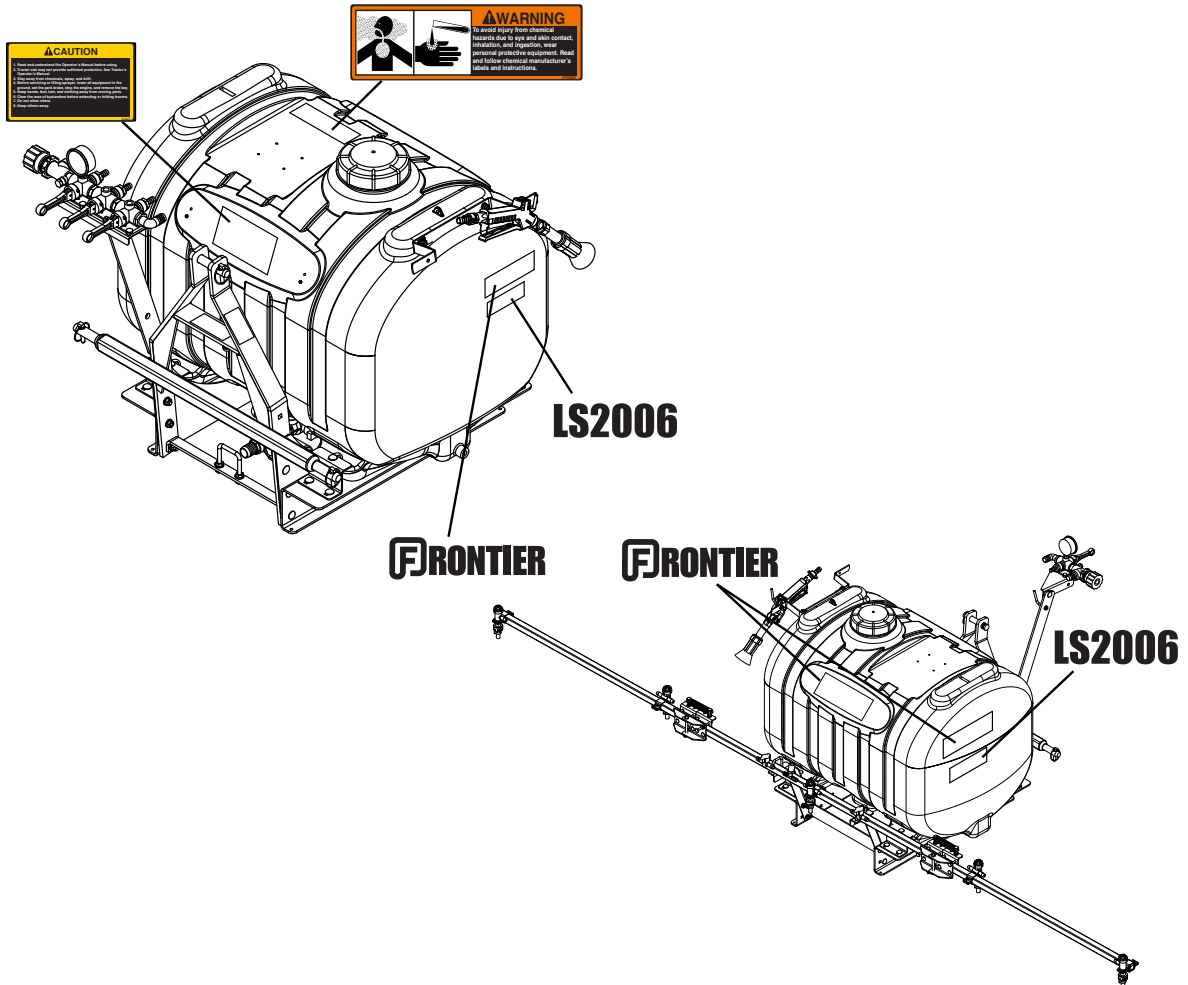


PARTS DIAGRAMS

Safety Decals Kit and Model Decals



- 1 - English
- 2 - French
- 3 - Spanish

- 4 - English
- 5 - French
- 6 - Spanish

OPERATOR'S MANUAL
LIQUID SPRAYER

LS2006

FRONTIER

Operator's Manual and Safety Decal Kit

FRONTIER

Qty. 3

LS2006

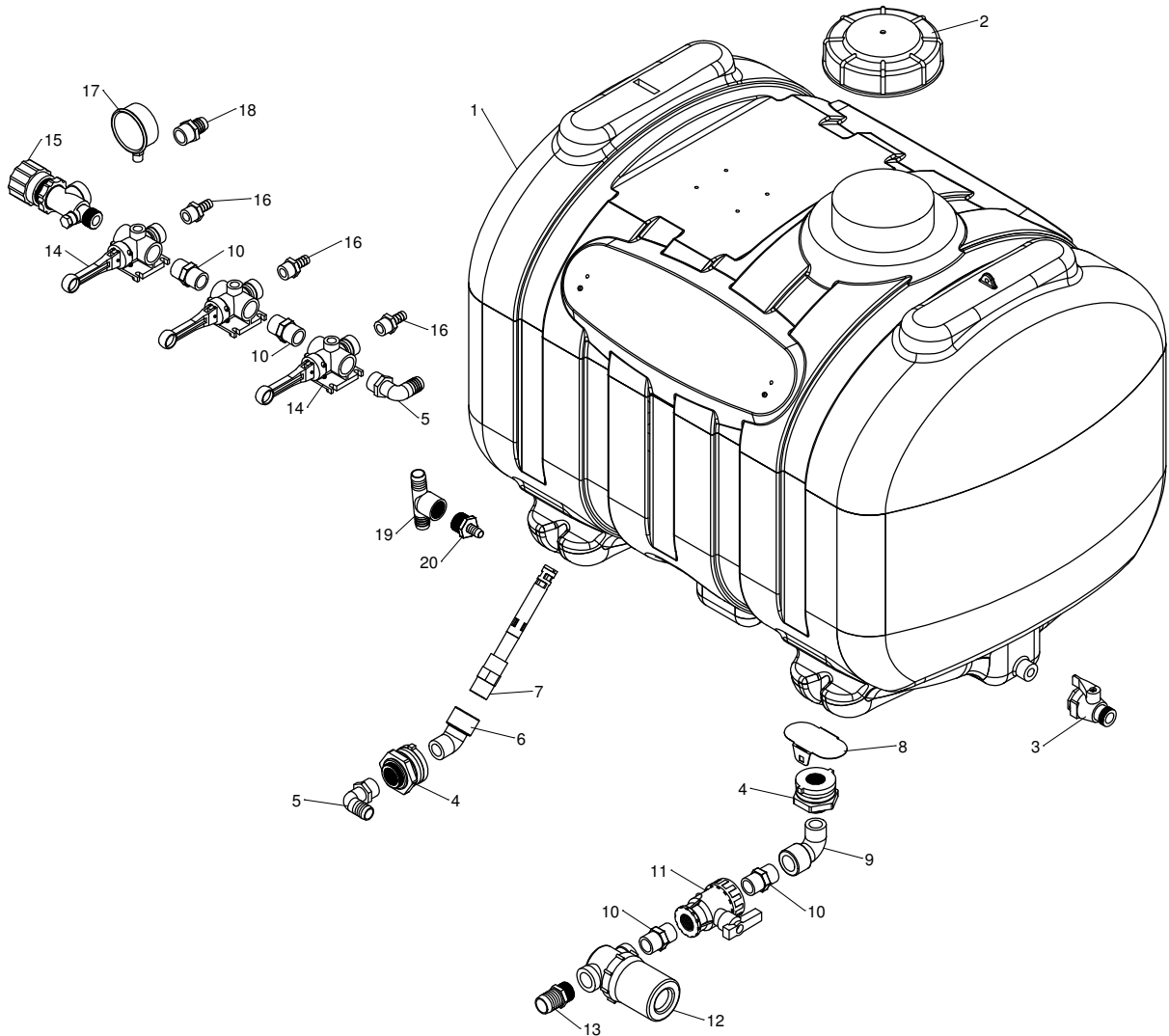
Qty. 2

Replacement Decal Kit

Safety Decals Kit and Model Decals

ITEM NO.	PART NUMBER	DESCRIPTION	QTY.	Note
1	5CS0025	OM and Safety Decal Kit - English	1	Includes Operator's Manual, Caution Label and Warning Label
2	5CS0028	OM and Safety Decal Kit - French	1	
3	5CS0031	OM and Safety Decal Kit - Spanish	1	
4	5CS43994	Replacement Decal Kit - English	1	Includes Qty. 3 Frontier Decal, Qty. 2 Model Decal, Caution Label and Warning Label
5	5CS43995	Replacement Decal Kit - French	1	
6	5CS43996	Replacement Decal Kit - Spanish	1	

Plumbing

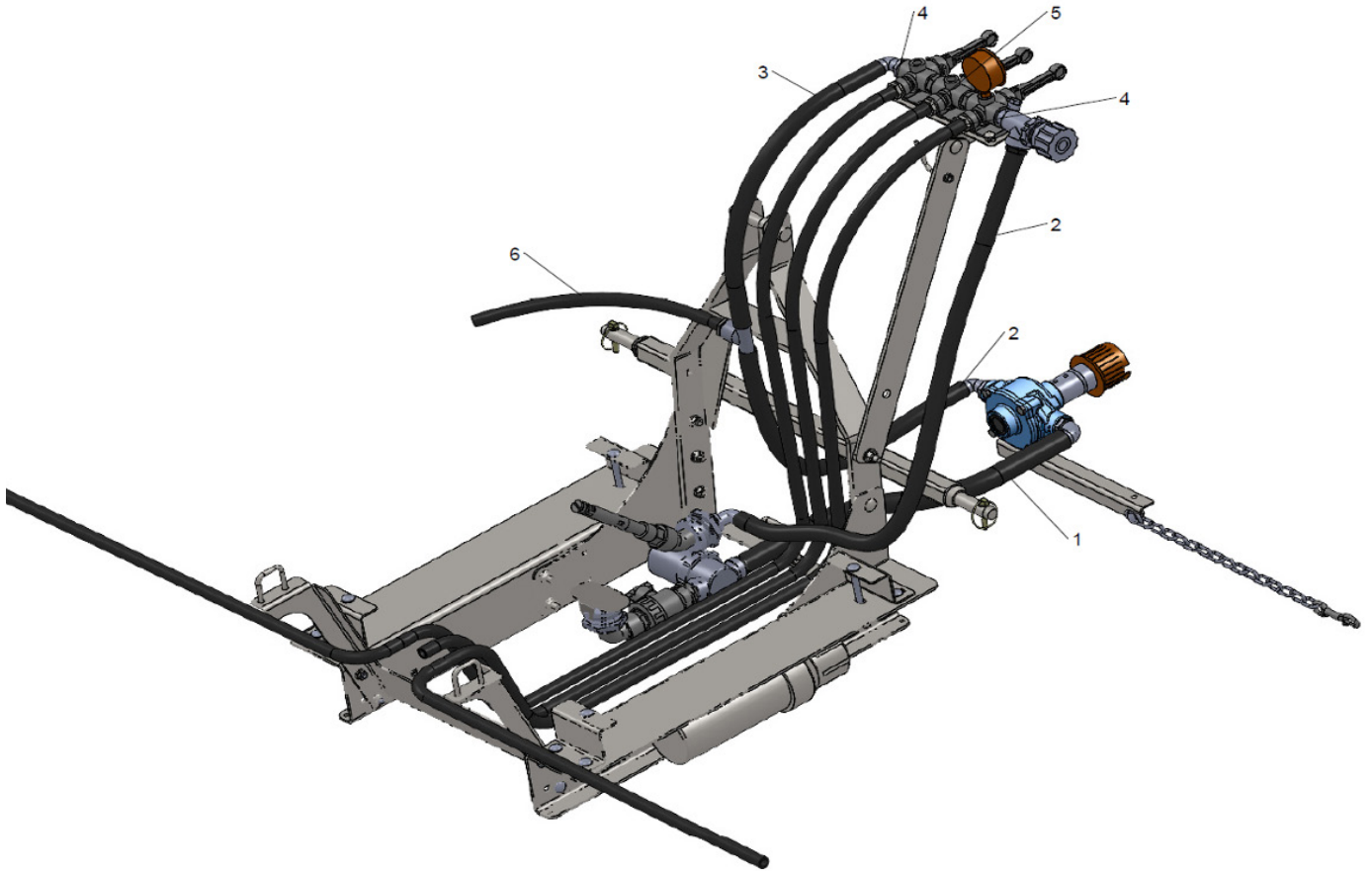


ITEM NO.	PART NUMBER	DESCRIPTION	QTY.	Note
1	5CS43648	60 Gallon Tank	1	
2	5CS43175	Tank Lid 6"	1	
3	5CS43981	Garden Hose Shut-off Valve	1	
4	5CS43626	Tank Fitting 3/4"	2	
5	5CS43633	Elbow 3/4" MP - 3/4" barb	2	
6	5CS43660	45° Street Fitting 3/4"	1	
7	5CS43661	Jet Agitator	1	
8	5CS43739	Anti Vortex Plate	1	
9	5CS43627	Street Elbow 3/4"	1	

Plumbing

ITEM NO.	PART NUMBER	DESCRIPTION	QTY.	Note
10	5CS43630	3/4" Pipe Nipple	4	QTY 4 for 18ft Boom, Qty 2 for 12.5 ft Boom & 24ft Boomless
11	5CS43629	Single Union Ball Valve	1	
12	5CS43631	Filter	1	
13	5CS43632	Fitting 3/4" MP - 1" Hose	1	
14	5CS43634	Control Valve	3	QTY 3 for 18ft Boom, Qty 1 for 12.5 ft Boom & 24ft Boomless
15	5CS43635	Relief Valve 3/4"	1	QTY 3 for 18ft Boom, Qty 1 for 12.5 ft Boom & 24ft Boomless
16	5CS43423	Fitting 1/2" Barb - 1/2 MP	3	
17	5CS43987	Gauge 160 PSI	1	
18	5CS43636	Fitting 3/4" MP - 3/4" barb	1	
19	5CS43640	Tee, 3/4" Hose - 3/4" Hose - 3/4" FP	1	
20	5CS43641	Fitting 3/4" MP - 1/2" Hose	1	

Hoses

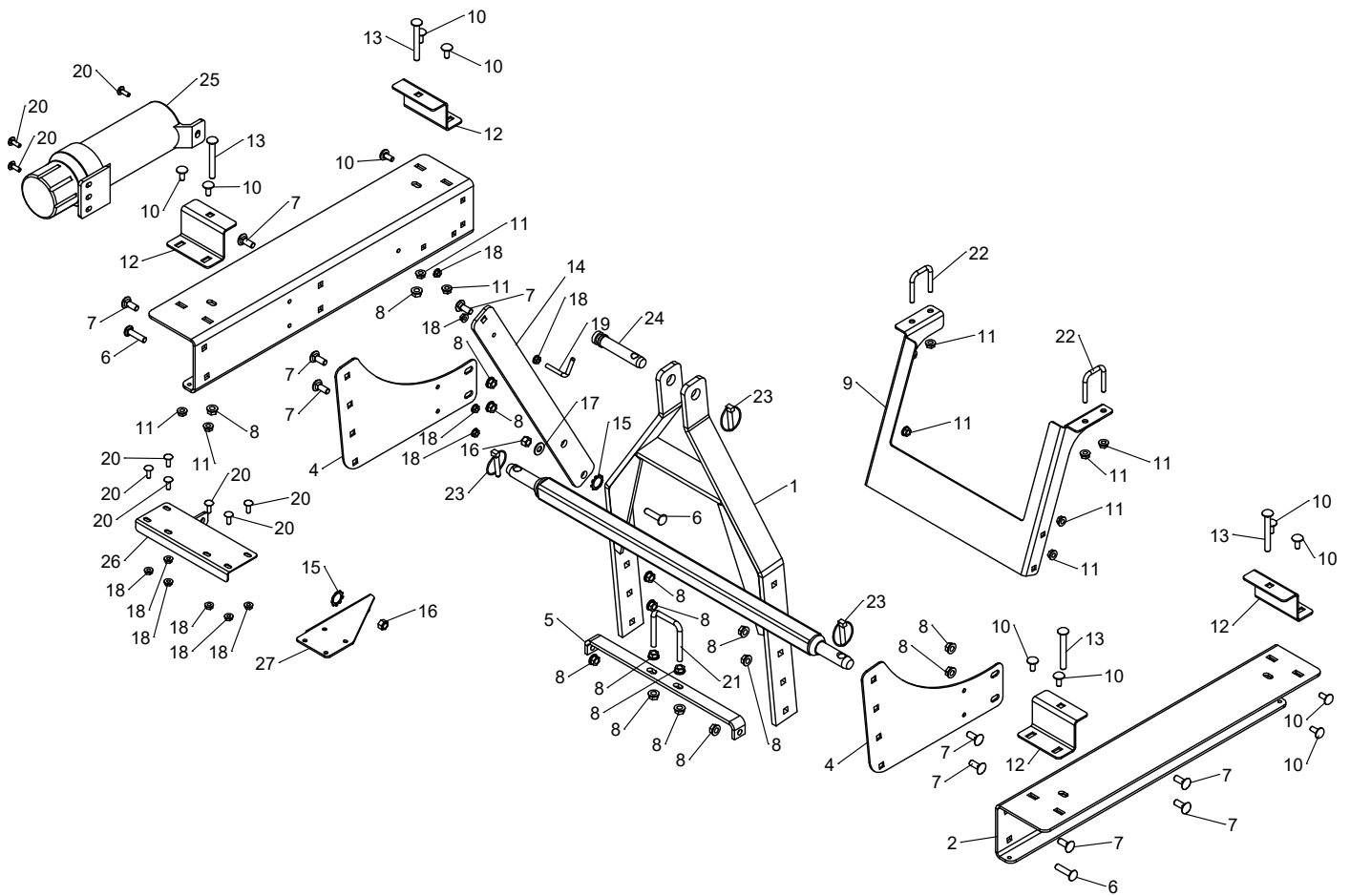


ITEM NO.	PART NUMBER	DESCRIPTION	QTY.	Note
1		1" Suction Hose	1	CTL 36", MF 5CS43657
2		3/4" Hose	2	CTL 36", MF 5CS43656
3		3/4" Hose	1	CTL 24", MF 5CS43656
4		1/2" Hose	2	CTL 114", MF 5CS43418
5		1/2" Hose	1	CTL 66", MF 5CS43418

Hoses

ITEM NO.	PART NUMBER	DESCRIPTION	QTY.	Note
6		1/2" Hose	1	For 30 ft Hand Sprayer - CTL 360", MF 5CS43418 For 100 ft Hose Reel - CTL 1200" MF 5CS43418
-	5CS43652	Hose Clamp Screw Type 3/8" - 1/2"	6	Not Illustrated
-	5CS43653	Hose Clamp Screw Type 3/4"	6	Not Illustrated
-	5CS43654	Hose Clamp Screw Type 1"	2	Not Illustrated
-	5CS43426	1/2" barb fitting for wing nut	1	Installed on item 5 for 12.5 ft Boom and 24 ft Boomless
-	5CS43498	Plastic wing nut	1	Installed on item 5 for 12.5 ft Boom and 24 ft Boomless

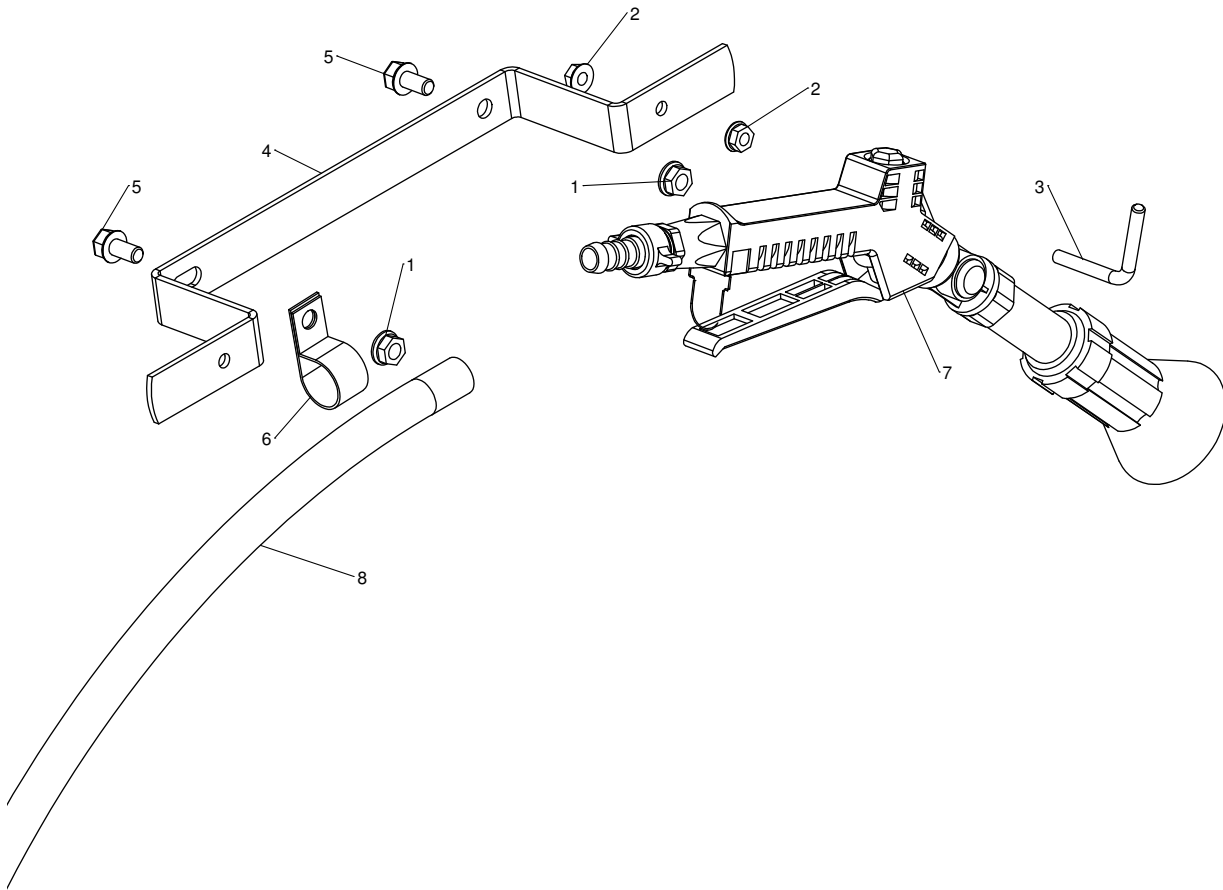
Frame



Frame

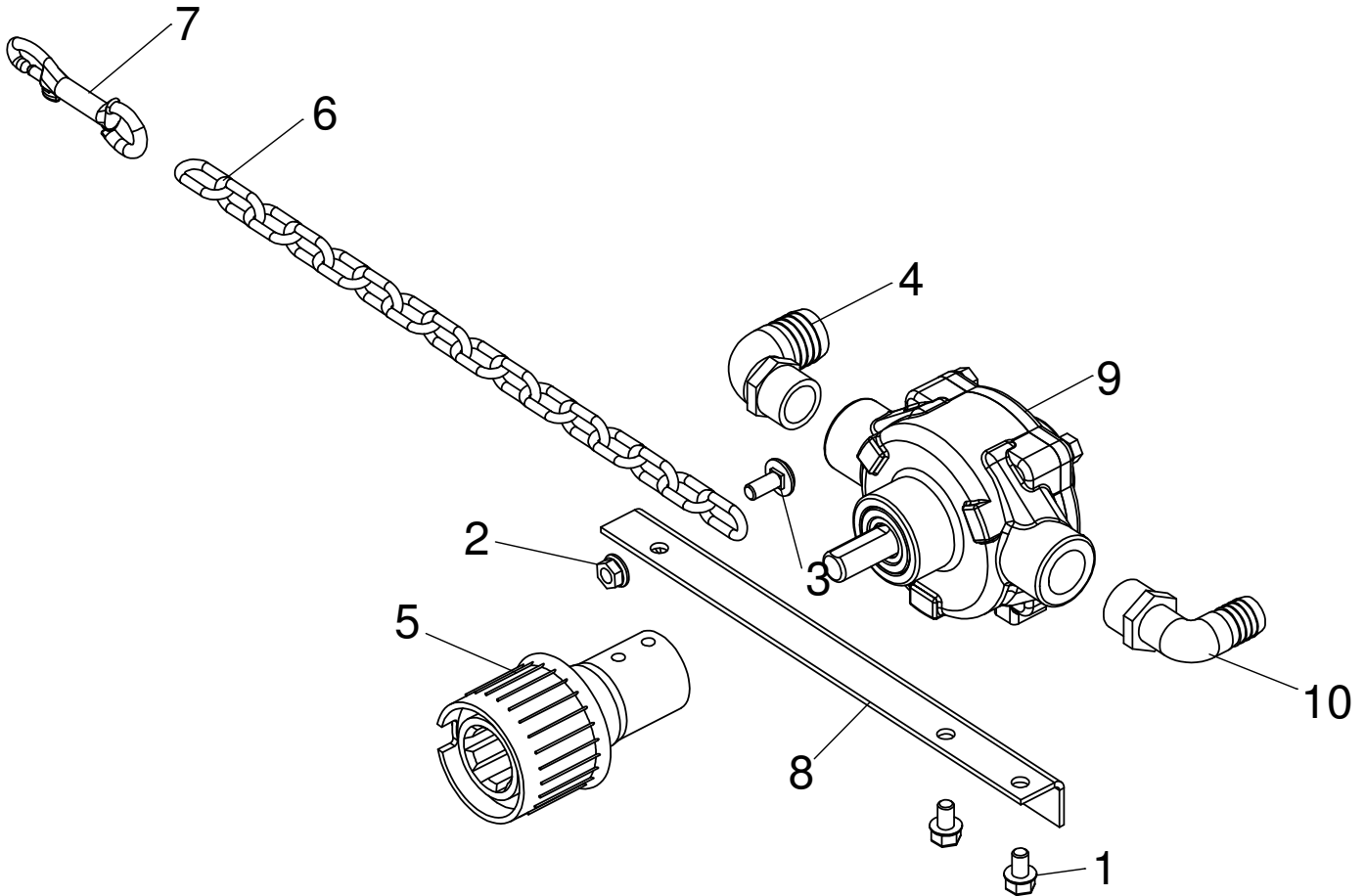
ITEM NO.	PART NUMBER	DESCRIPTION	QTY.	Note
1	5CS61500	3 Point A Frame	1	
2	5CS43603	Channel Left	1	
3	5CS43602	Channel Right	1	
4	5CS43605	Front Brace	2	
5	5CS43618	Support	1	
6	03H1495	3/8" x 1-1/2" Carriage Bolt	3	
7	03H1500	3/8" x 1" Carriage Bolt	11	
8	E55662	3/8" Flange Nut	20	
9	5CS43883	Rear Crossmember	1	
10	03H1540	5/16" x 3/4" Carriage Bolt	12	
11	A22698	5/16" Flange Nut	16	
12	5CS43610	Tank Clamp	4	
13	03H2131	3/8" x 3" Carriage Bolt	4	
14	5CS43620	Control Mounting Post	1	
15	5CS65054	3/4" Star Lock Washer	2	
16	T11234	3/8" Nylock Nut	2	
17	T406296	3/8" Flat Washer	1	
18	N10217	1/4" Flange Nut	11	Qty 11 for 18ft Boom, Qty 8 for 12.5 ft Boom and 24 ft Boomless
19	5CS62008	1/4" Bent Pin	1	
20	03H1701	1/4" x 3/4" Carriage Bolt	9	Qty 9 for 18ft Boom, Qty 6 for 12.5 ft Boom and 24 ft Boomless
21	5CS60072	3/8" U-Bolt	1	
22	5CS43315	5/16" x 1-3/4" Square U-Bolt	2	
23	5CS43398	Lynch Pin	3	
24	5CS43399	Top Link Pin, Cat 1	1	
25	5CS43950	Manual Canister	1	
26	5CS43621	Triple Control Mount	1	18ft boom
27	5CS43619	Single Control Mount	1	For 12.5 ft Boom and 24ft Boomless

30 ft Hand Sprayer



ITEM NO.	PART NUMBER	DESCRIPTION	QTY.	Note
1	A22698	5/16" Flange Nut	2	
2	N10217	1/4" Flange Nut	2	
3	5CS62008	1/4" Bent Pin	1	
4	5CS62006	Hose Hanger	1	
5	T58694	5/16" x 5/8" Flange Bolt	2	
6	5CS43663	Hose Holder 1/2"	1	
7	5CS43435	Sprayer Handgun	1	
8		1/2" Hose	1	CTL 360", MF 5CS43418
-	5CS43652	Hose Clamp Screw Type 3/8" - 1/2"	2	Not Illustrated

6 Roller PTO Pump

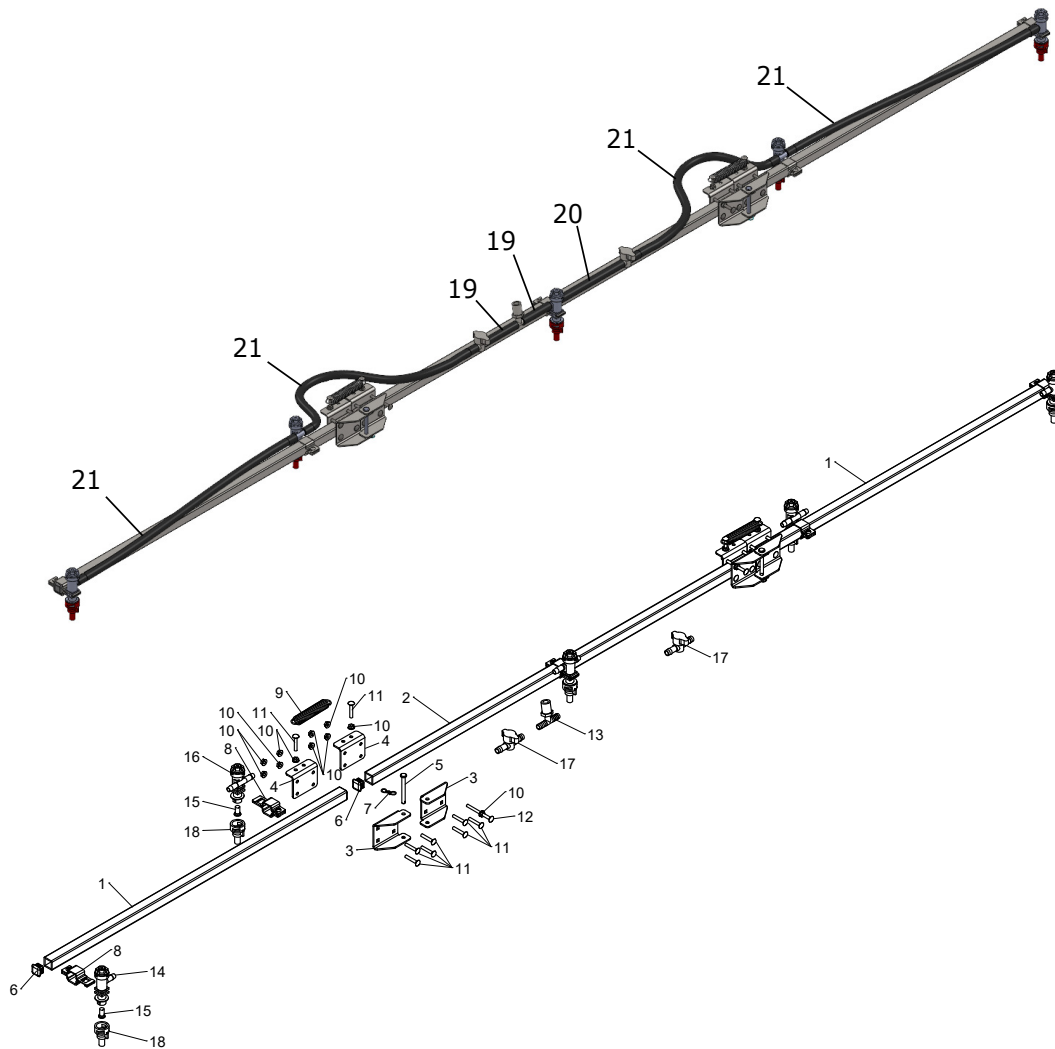


ITEM NO.	PART NUMBER	DESCRIPTION	QTY.	Note
1	N167649	5/16" x 1/2" Flange Bolt	2	
2	A22698	5/16" Flange Nut	1	
3	03H1540	5/16" x 3/4" Carriage Bolt	1	
4	5CS43638	Elbow 3/4" MP - 1" barb	1	
5	5CS43639	PTO Quick Connect Adapter	1	

6 Roller PTO Pump

ITEM NO.	PART NUMBER	DESCRIPTION	QTY.	Note
6	5CS50268	Chain 2/0 - 1.5 ft	1	
7	5CS43650	Chain Latch	1	
8	5CS43622	Pump Mount Angle	1	
9	5CS43637	Pump Cast 6 Roller	1	
9	5CS43649	Pump Silver Series 6 Roller	1	
10	5CS43633	Elbow 3/4" MP - 3/4" barb	1	

12.5' Folding Boom

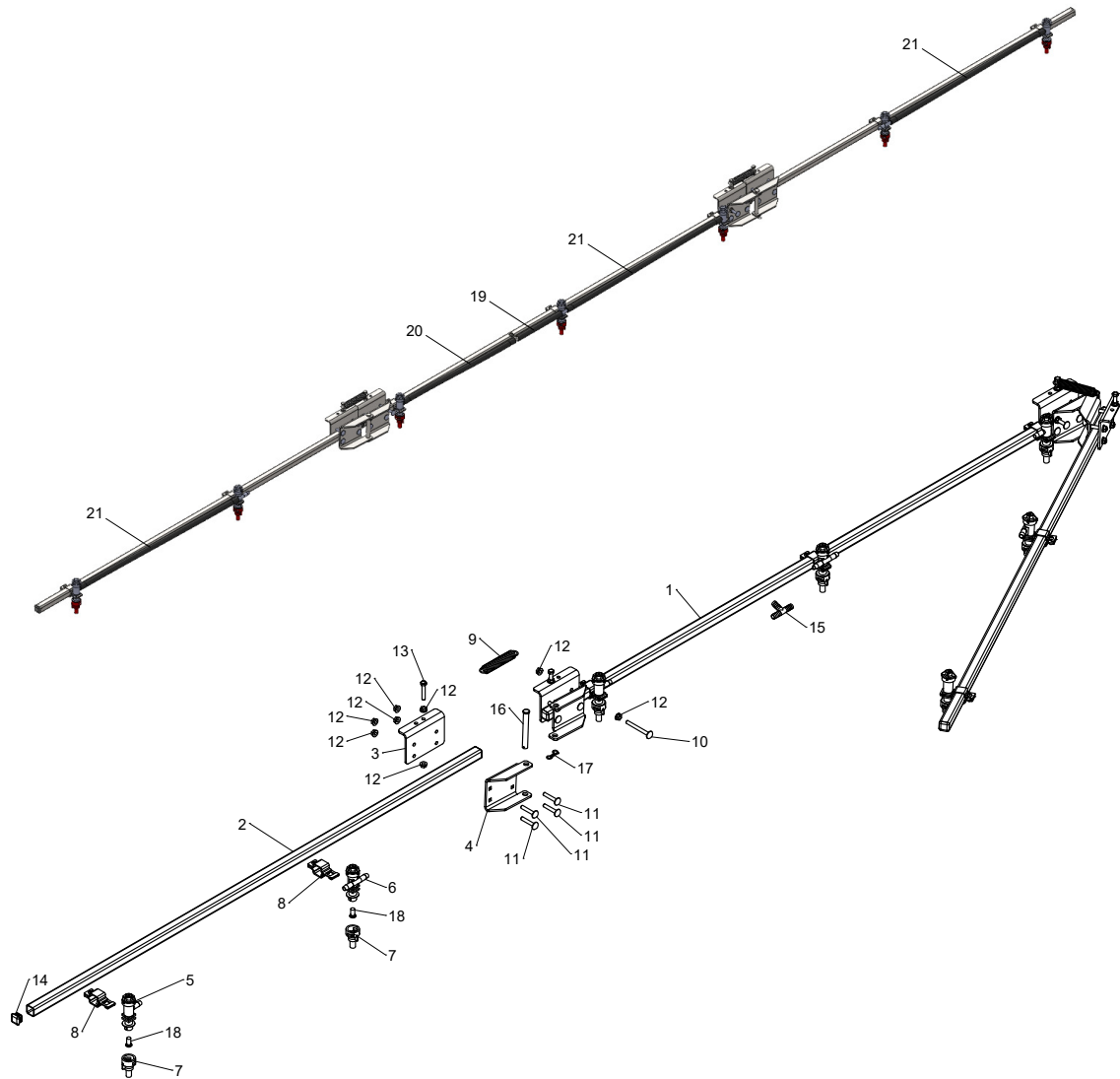


ITEM NO.	PART NUMBER	DESCRIPTION	QTY.	Note
1	5CS60085	Side Boom Tube 37"	2	
2	5CS60083	Center Boom Tube 48"	1	
3	5CS43849	Boom Hinge Bracket	4	
4	5CS43389	Boom Hinge Backing Plate	4	
5	5CS43402	5/16" x 3" Clevin Pin	2	
6	5CS43401	Plastic End Cap 1"	6	
7	5CS43624	Small Bowtie Clip	2	
8	5CS43598	Square Tube Clamp 1"	5	
9	5CS43403	Spring 3/4" x 3-3/4" x .105	2	

12.5' Folding Boom

ITEM NO.	PART NUMBER	DESCRIPTION	QTY.	Note
10	N10217	1/4" Flange Nut	26	
11	03H1810	1/4" x 1-1/2" Carriage Bolt	18	
12	FH325451	1/4" x 3" Carriage Bolt	2	
13	5CS43597	Tee 1/2" Barb - 1/2" NPT F	1	
14	5CS43658	Nozzle Body Single Hose 1/2"	2	
15	5CS43411	Spray Tip Screen	5	
16	5CS43595	Nozzle Body Dual Hose 1/2"	3	
17	5CS43736	In-line Valve 1/2"	2	
18	5CS43843	Air Induction Spray Tip 0.4 gpm	5	
19		1/2" Hose	2	CTL 2.5", MF 5CS43418
20		1/2" Hose	1	CTL 6", MF 5CS43418
21		1/2" Hose	4	CTL 19.25", MF 5CS43418
-	5CS43652	Hose Clamp Screw Type 3/8" - 1/2"	14	Not Illustrated

18' Folding Boom

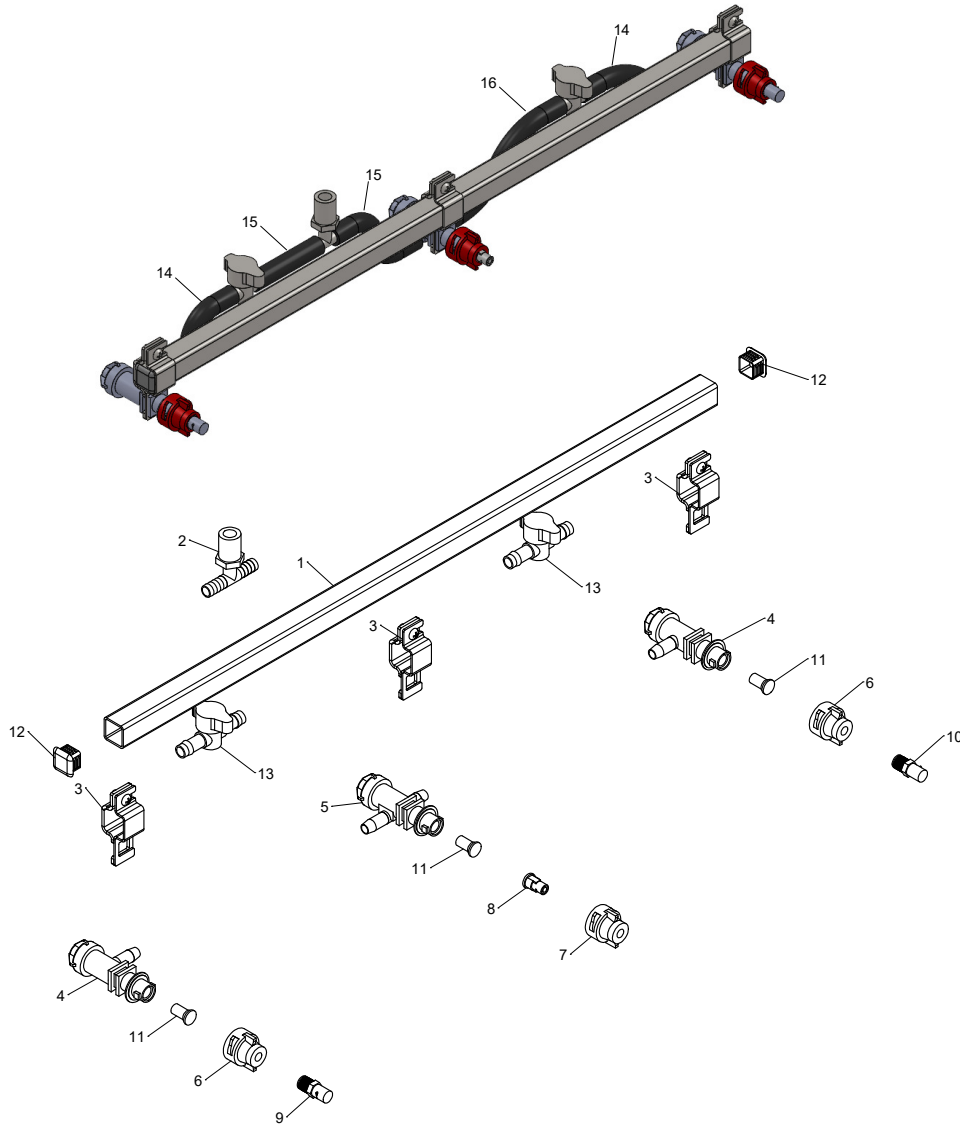


ITEM NO.	PART NUMBER	DESCRIPTION	QTY.	Note
1	5CS43644	Center Boom Tube 72"	1	
2	5CS43646	Side Boom Tube 60"	2	
3	5CS43616	Boom Hinge Backing Plate	4	
4	5CS43862	Boom Hinge Bracket	4	
5	5CS43658	Nozzle Body Single Hose 1/2"	4	
6	5CS43595	Nozzle Body Dual Hose 1/2"	3	
7	5CS43843	Air Induction Spray Tip 0.4 gpm	7	
8	5CS43598	Square Tube Clamp 1"	7	

18' Folding Boom

ITEM NO.	PART NUMBER	DESCRIPTION	QTY.	Note
9	5CS43403	Spring 3/4" x 3-3/4" x .105	2	
10	03H1506	5/16" x 3" Carriage Bolt	2	
11	03H2209	5/16" x 1-3/4" Carriage Bolt	14	
12	A22698	5/16" Flange Nut	26	
13	5CS65090	5/16" x 1-3/4" Hex Bolt	4	
14	5CS43401	Plastic End Cap 1"	6	
15	5CS43420	Tee 1/2" Barb	1	
16	5CS50120	1/2"x4" Clevis Pin	2	
17	5CS50237	Bowtie Clip 1/2"	2	
18	5CS43411	Spray Tip Screen	7	
19		1/2" Hose	1	CTL 6", MF 5CS43418
20		1/2" Hose	1	CTL 22.25", MF 5CS43418
21		1/2" Hose	3	CTL 29", MF 5CS43418
-	5CS43652	Hose Clamp Screw Type 3/8" - 1/2"	13	Not Illustrated

Boomless 24' Spray

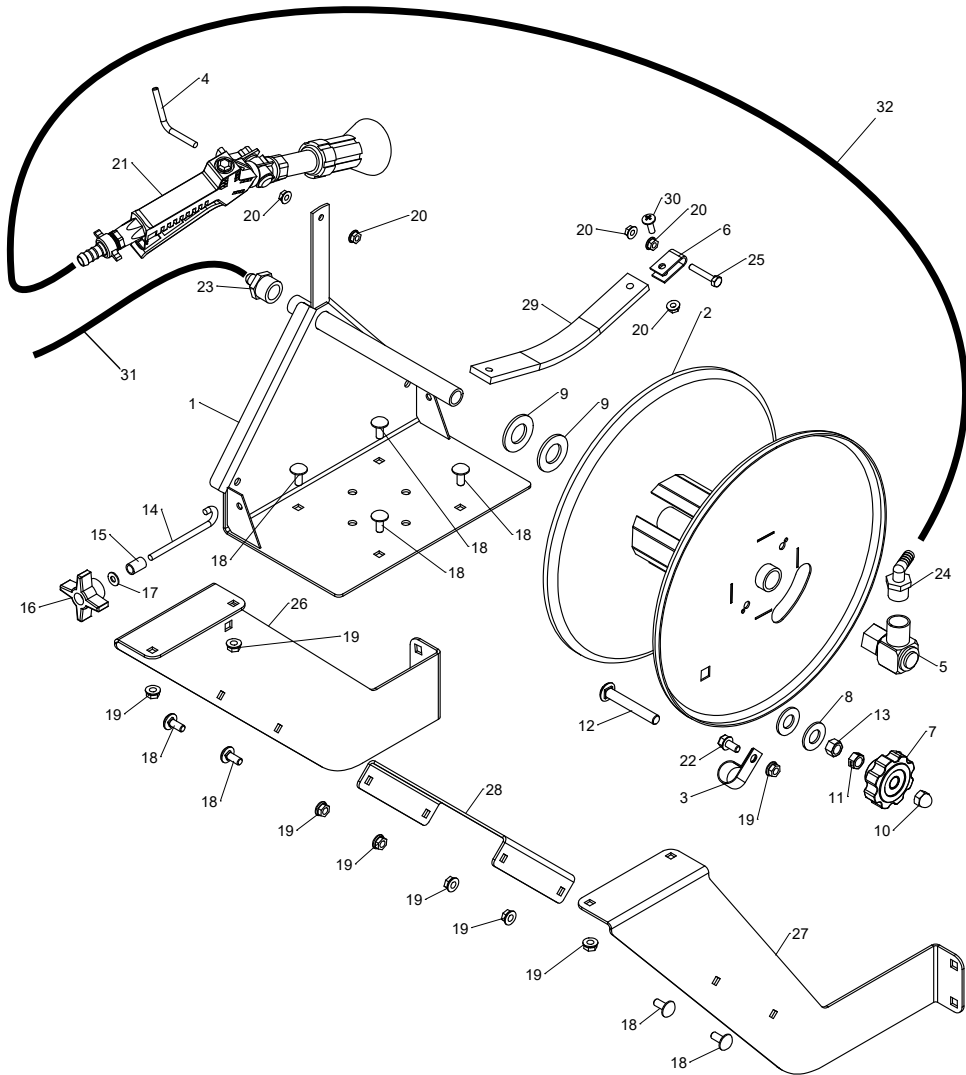


ITEM NO.	PART NUMBER	DESCRIPTION	QTY.	Note
1	5CS61020	Boom Tube 31"	1	
2	5CS43597	Tee 1/2" Barb - 1/2" NPT F	1	
3	5CS43598	Square Tube Clamp 1"	3	
4	5CS43658	Nozzle Body Single Hose 1/2"	2	
5	5CS43595	Nozzle Body Dual Hose 1/2"	1	
6	5CS43599	Spray Tip Cap w/ Gasket for Threaded Tips	2	
7	5CS43408	Spray Tip Cap w/ Gasket	1	

Boomless 24' Spray

ITEM NO.	PART NUMBER	DESCRIPTION	QTY.	Note
8	5CS43410	Flood Spray Tip 0.3 gpm	1	
9	5CS43600	Boomless Flat Spray Tip Right	1	
10	5CS43601	Boomless Flat Spray Tip Left	1	
11	5CS43411	Spray Tip Screen	3	
12	5CS43401	Plastic End Cap 1"	2	
13	5CS43736	In-line Valve 1/2"	2	
14		1/2" Hose	2	CTL 3.25", MF 5CS43418
15		1/2" Hose	2	CTL 5", MF 5CS43418
16		1/2" Hose	1	CTL 10.25", MF 5CS43418
-	5CS43652	Hose Clamp Screw Type 3/8" - 1/2"	10	Not Illustrated

100 ft Hose Reel



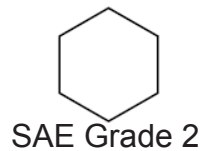
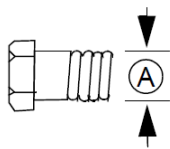
ITEM NO.	PART NUMBER	DESCRIPTION	QTY.	Note
1	5CS43686	Hose Reel Base	1	
2	5CS43687	Hose Reel Assembly	1	
3	5CS43663	Hose Holder 1/2"	1	
4	5CS62008	1/4" Bent Pin	1	
5	5CS43782	Swivel 1/2" FPT, Elbow	1	
6	5CS50245	Retention Strap Clamp	1	
7	5CS43783	Swivel Knob	1	
8	A110615	5/8" SAE Washer	2	
9	5CS65161	7/8" SAE Washer	2	
10	5CS65162	7/16" Acorn Nut	1	

100 ft Hose Reel

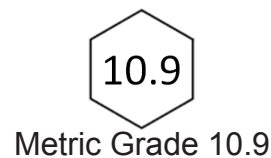
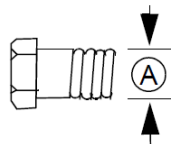
ITEM NO.	PART NUMBER	DESCRIPTION	QTY.	Note
11	5CS65163	7/16" Center Lock Nut	1	
12	03H1705	7/16" x 3" Carriage Bolt	1	
13	14H849	7/16" Hex Nut	1	
14	5CS43781	1/4" x 4" J-Bolt	1	
15	5CS43725	Spacer	1	
16	5CS43810	1/4" Plastic Knob	1	
17	5CS65154	1/4" Washer	1	
18	03H1540	5/16" x 3/4" Carriage Bolt	8	
19	A22698	5/16" Flange Nut	9	
20	N10217	1/4" Flange Nut	5	
21	5CS43435	Sprayer Handgun	1	
22	T58694	5/16" x 5/8" Flange Bolt	1	
23	5CS43588	Elbow 1/2" Barb - 1/2" NPT F	1	
24	5CS43803	Elbow 1/2" Barb - 1/2" NPT M	1	
25	TCU38060	1/4"x 1-1/2" Bolt	1	
26	5CS43793	Front Mounting Bracket	1	
27	5CS43794	Rear Mounting Bracket	1	
28	5CS43804	Crossmember	1	
29	5CS43988	Rubber Strap 5/16" x 1-1/4" x 10"	1	
30	5CS65016	1/4" x 3/4" Truss Head Bolt	1	
31		1/2" Hose	1	CTL 36", MF 5CS43418
32		1/2" Hose	1	CTL 1200", MF 5CS43418
-	5CS43652	Hose Clamp Screw Type 3/8" - 1/2"	4	Not Illustrated

BOLT TORQUE CHART

- Torque values listed are for general use only, based on the strength of the bolt or screw. DO NOT use these values if a different torque value or tightening procedures is given for a specific application. For plastic insert or crimped steel type lock nuts, for stainless steel, or for nuts on u-bolts, see the tightening instructions for the specific application.
- Fasteners must always be replaced with the same grade as specified in the manual parts list.
- Shear bolts are designed to fail under predetermined loads, always replace shear bolts with identical grades.
- Make sure fasteners threads are clean and start thread engagement properly.



Diameter (A) (Inches)	Torque Values (Dry)					
	SAE Grade 2		SAE Grade 5		SAE Grade 8	
	N-m	lb-ft	N-m	lb-ft	N-m	lb-ft
1/4	7.4	5.5	12	9	17	12.5
5/16	15	11	24	18	35	26
3/8	27	20	45	33	62	46
7/16	43	32	70	52	102	75
1/2	68	50	108	80	156	115
9/16	95	70	156	115	217	160
5/8	136	100	217	160	305	225
3/4	238	175	380	280	540	400
7/8	238	175	615	455	870	640



Diameter (A) (millimeters)	Torque Values (Dry)			
	Grade 8.8		Grade 10.9	
	N-m	lb-ft	N-m	lb-ft
M6	11.3	8.3	16.5	12.2
M8	27.5	20.3	40	29.5
M10	55	40	80	59
M12	95	70	140	105
M14	150	110	220	165
M16	240	175	350	255